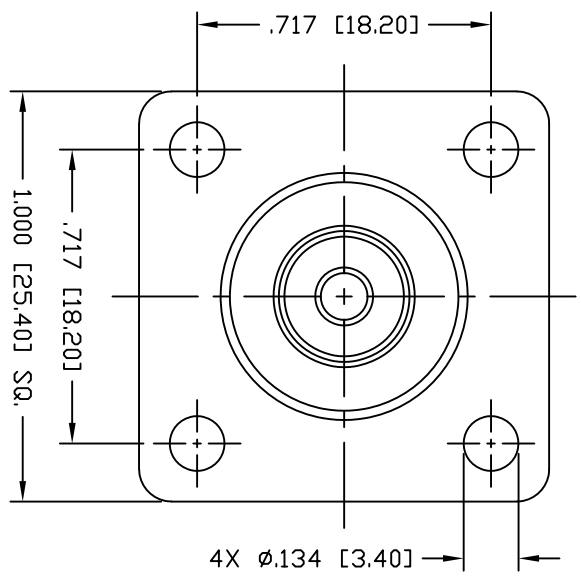
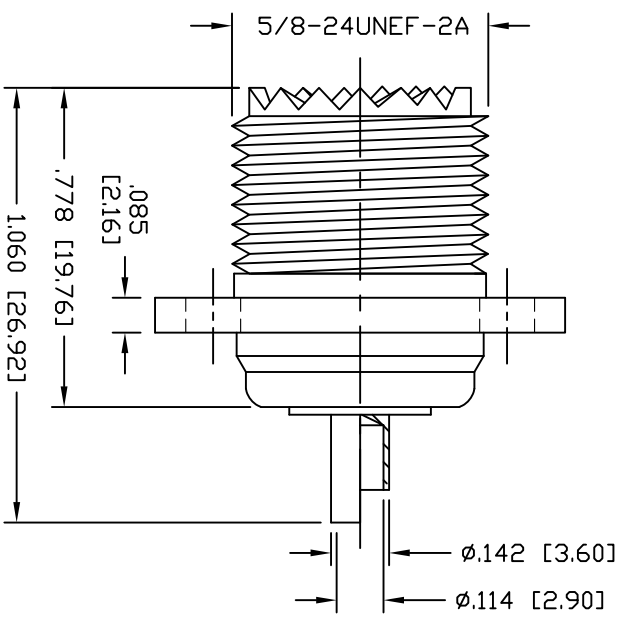


PART NO.		RFU-521		
REV	DESCRIPTION	DWN	DATE	APPROVED
C	CHANGED FROM PTFE TO DAP INSULATOR	CZS	02/06/20	JDMc



SPECIFICATIONS:

IMPEDANCE: NON CONSTANT
 WORKING VOLTAGE: 500 VRMS @ SEA LEVEL
 FREQUENCY RANGE: 0-300 MHZ

#	DESCRIPTION	QTY	MATERIAL	FINISH
3	CONTACT	1	BRASS	SILVER
2	INSULATOR	1	DAP	PANTONE 129
1	BODY	1	DIECAST ZINC	NICKEL

CUSTOMER OUTLINE DRAWING	
ALL DIMENSIONS ARE REFERENCE ONLY	
UNLESS OTHERWISE SPECIFIED: DIMENSIONS ARE IN INCHES AND [MILLIMETERS]	
DRAWN C: ZUNIGA	02/06/20
CHECKED	
CRW DRAWN	
C: ZUNIGA	04/01/98

ROHS COMPLIANT

PROPRIETARY AND CONFIDENTIAL
 THIS DRAWING CONTAINS
 INFORMATION PROPRIETARY TO
 RF INDUSTRIES, ANY
 UNAUTHORIZED USE OF THIS
 DRAWING IS EXPRESSLY
 PROHIBITED WITHOUT WRITTEN
 PERMISSION FROM RF
 INDUSTRIES, ANY VIOLATION IS
 PUNISHABLE UNDER U.S.
 COPYRIGHT LAWS.

RF Industries
 DIVISION OF RF INDUSTRIES, LTD. SAN DIEGO, CALIFORNIA

RF INDUSTRIES.COM
 (858) 549-6340
 RF@RFINDUSTRIES.COM

UHF FEMALE / SO-239
 4 HOLE FLANGE WITH SOLDER CUP

DWG # **RFU-521**

CABLE GROUP	CONTROL #	SCALE	FORMAT	SHEET	REVISION
N/A	000000	NTS	A	1 OF 1	C